

STORAGE SUPPORT SOLUTIONS



E302-Mirror
11-0655

E302-Mirror
(Locking Door)
11-0656

SATA HARD DRIVE BACKUP & STORAGE SOLUTION

- Provides an external housing solution for 2 removable 3.5" SATA hard disk drives with power, cooling, RAID, and interface
- Turnkey solution includes:
 - Drive Trays
 - Data Cables
 - Drive Mounting Hardware
- Highest quality on the market
 - First Tier Power Supply and Fan
 - PDE is ISO 9001
 - 1 Year Warranty
- Contemporary Design
 - Rear Mounted Power Switch
 - Bezel with Area for Labeling
 - Silver with Black Trays
 - Aluminum Construction
- Custom OEM Options Available
 - Custom Colors
 - Silk Screen
 - Custom Printed Packaging
 - Bulk OEM Pack
- Compact size, yet huge capacity
- Interface Flexibility
 - Firewire (400/800) / 1394 (A/B)
 - USB 2.0
 - Connects to almost any PC or MAC
- Designed to exceed hard drive requirements
- Protect valuable data with RAID-Mirror drive redundancy while keeping data available for immediate access

RAID FUNCTIONS

- Mirroring: Writing data to both disks so that data may be recovered in the event of one drive failing
- Perfect for disk to disk backup
- Front mounted LEDs show system status
- Auto rebuild

Distributed by:

PDE TECHNOLOGY CORPORATION
www.pdetechology.com

Headquarters
11522 Markon Drive
Garden Grove, CA 92841
Phone: 714-799-1704
Fax: 714-799-1705
E-mail: info@pdetechnology.com

European Office
United Kingdom
Phone: 44 (0) 1252 879633
E-mail: info@pdetechnology.co.uk
Sales E-mail: sales@pdetechnology.co.uk

E302-Mirror Drive Enclosure Specifications

COOLING SYSTEM

High Volume Cooling Fan

Dimensions: 60x60x25mm	Sleeve Bearing Construction
Airflow: 18 CFM	Locked Rotor Protection
RPM: 3600	4 Pole DC Motor Design
Power: 1.4 Watts	UL, CSA, TUV Approved

POWER SYSTEM

65 Watt Auto Sensing Power Supply

SPECS

Input: 90~260 Vac

65 Watt Auto Sensing Power Supply

MTBF 60K Hrs at Full Load(25°C)

Protection

Short Circuit w/ Auto Recovery

Over Voltage w/ Auto Recovery

UL, TUV Approved

65 Watt Specs

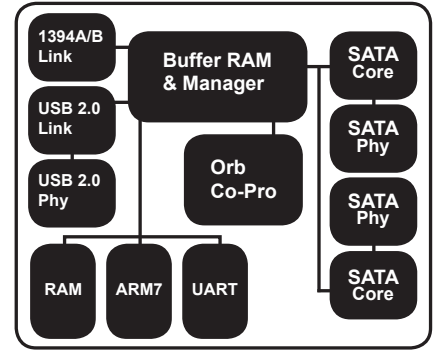
Output Voltage	Min	Max	Tolerance	Rippled Noise	Regulation	
					Line	Load
+ 5V	0.2A	5.0A	2%	50mV	1%	2%
+ 12V	0.3A	6.0A	10%	120mV	2%	10%

E302 Dimensions and Weights

Part Number	11-0655	11-0656
Unit Weight	7 lbs	7.2 lbs
Unit Weight with Carton	8.7 lbs	9 lbs
Unit Carton Dimension	15"L x 8.5"W x 9"H	15.5"L x 9"W x 9"H
Quantity per Master Carton	3	3
Weight per Master Carton	29 lbs	30 lbs
Master Carton Dimension	16"L x 27"W x 10.5"H	17"L x 27"W x 10.5"H



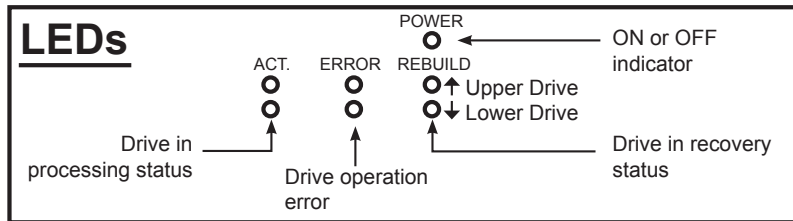
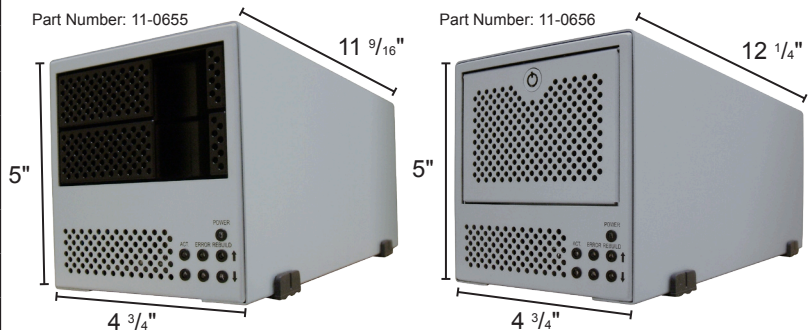
Firewire Firewire 800 USB



The PDE E302-Mirror uses a high performance solution for bridging between SATA disks and USB 2.0, FireWire 400, FireWire 800. The external storage solution which connect to a PC & Apple Mac via the USB 2.0 or FireWire port.

Key Feature:

- Dual SATA allows connection of 2 SATA drives with hardware mirroring.
- Integrated Dual SATA core & Phys operating at 1.5Ghz with 150Mbyte/s data rates
- Integrated 480Mbps USB 2.0 link & Phy
- Integrated IEEE 1394A and IEEE 1394B (for DSB) link
- 18Kbyte RAM for USB & FireWire data cache
- Removable hard drive for easy drive replacement



TESTING PROCEDURE

Hi Pot • Ground • Voltage • Cosmetic • Electrical • Continuity • Functionality • Mechanical • Cooling System • Power Supply w/ Load • Rebuild • Data Transfer

SPARE PARTS AND/OR OPTIONS

Spare Power Supply: 25-1067	USB Cable: 29-0401	FireWire 400 (1394 A) Cable: 29-0400	FireWire 800 (1394 B) Cable: 29-0775	Spare HDD Tray: 14-1281-04
Spare Fan: 25-1014				

*Specs subject to change without notice

Distributed by:



www.pdetechology.com